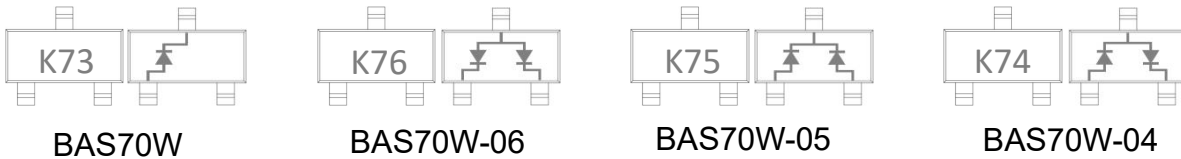
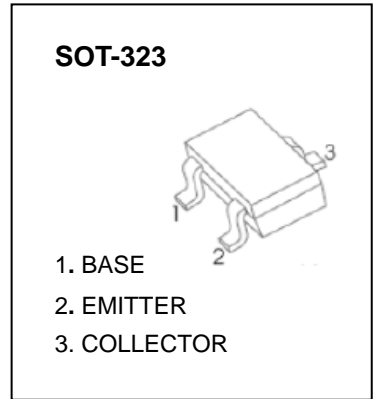


SOT-323 Plastic-Encapsulate Switching

Features

- Low turn-on voltage.
- Fast switching.
- Also available in lead free version.

Circuit & Marking



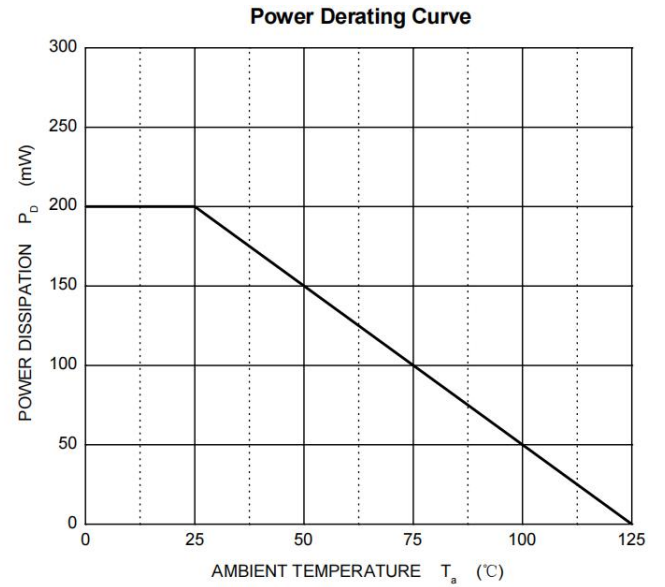
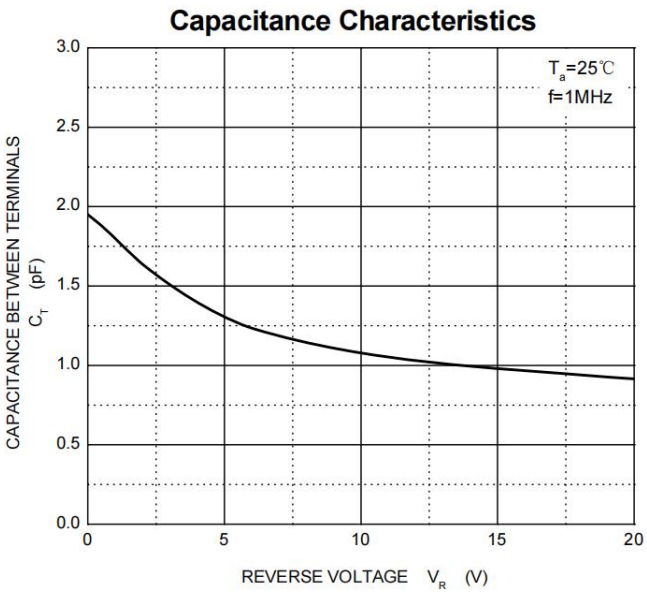
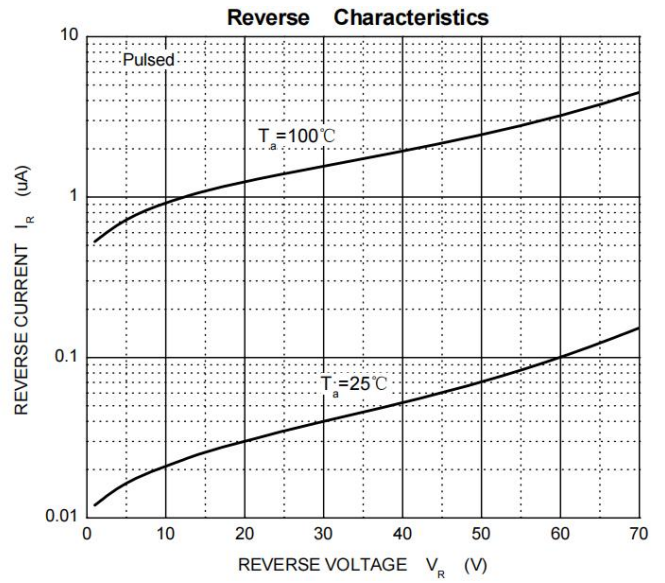
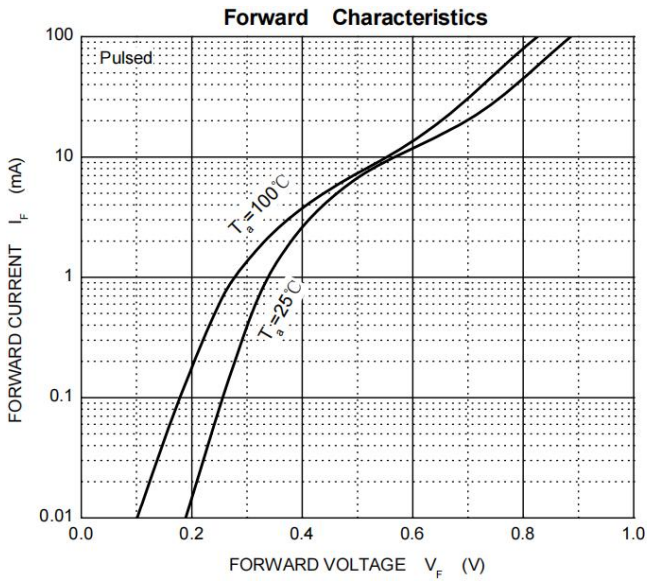
Absolute Maximum Ratings(Ta=25°C)

Symbol	Parameter	Value	Unit
VRRM VRWM VR	Peak Repetitive Peak Reverse Voltage Working Peak Reverse Voltage DC Blocking Voltage	70	V
I <sub>FM</sub>	Forward <b>Continuous</b> Current	70	mA
I <sub>FSM</sub>	Non-repetitive Peak Forward Surge Current@8.3mS	100	mA
P <sub>d</sub>	Power Dissipation	200	mW
R <sub>ΘJA</sub>	Thermal Resistance From Junction To Ambient	450	°C/W
T <sub>J</sub>	Operation Junction Temperature Range	-40~+125	°C
T <sub>STG</sub>	Storage Temperature Range	-55~+150	°C

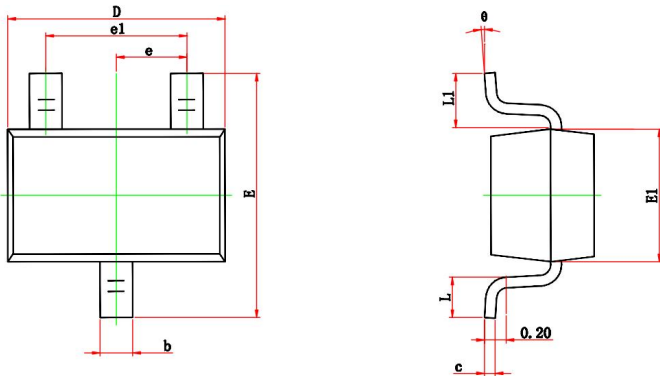
Electrical Characteristics (Ta=25°C unless otherwise specified)

Symbol	Parameter	Test conditions	Min	Max	Unit
V <sub>(BR)</sub>	Reverse breakdown voltage	I <sub>R</sub> =10μA	70		V
I <sub>R</sub>	Reverse current	V <sub>R</sub> =50V		100	nA
V <sub>F</sub>	Forward voltage	I <sub>F</sub> =1mA		410	mV
		I <sub>F</sub> =15mA		1000	mV
C <sub>D</sub>	Diode capacitance	V <sub>R</sub> =0V, f=1MHz		2	pF
t <sub>rr</sub>	Reverse recovery time	I <sub>F</sub> =I <sub>R</sub> =10mA, I <sub>rr</sub> =1mA, R <sub>L</sub> =100Ω		5	nS

### Typical Characteristics



### SOT-323 Package Outline Dimensions



Symbol	Dim in mm		
	最小值	中间值	最大值
A	0.90	1.00	1.10
A1	0.00	0.05	0.10
A2	0.90	0.95	1.00
b	0.15	0.25	0.35
c	0.10	0.12	0.15
D	1.80	2.00	2.20
E	2.15	2.25	2.35
E1	1.15	1.25	1.35
e	0.650TYP.		
e1	1.2	1.3	1.4
L	0.25	0.3	0.4
L1	0.525REF.		
θ	0°	4°	8°

### Packaging SPEC.

Units				
Units/Reel	Reels/Inner Box	Units/Inner Box	Inner Boxes/Outer Box	Units/Outer Box
3,000	15	45,000	4	180,000
Reel	Dimension (unit: mm <sup>3</sup> )			
	Inner Box		Outer Box	
7" × 8	190×190×190		400×400×210	